

# ROBUS®

## EMERGENCY

### MUSTER EMERGENCY LED TWIN SPOT 5W, IP65



## PRODUCT INFORMATION DOCUMENT

### CONSTRUCTION

- Fully polycarbonate
- 20mm conduit entries on the sides and the back
- Key hole surface mounting slots
- High quality LiFePO4 battery

### FEATURES

- Light and compact replacement for bulky halogen twin spots
- Built in self-test function reducing maintenance costs and enhance safety
- LiFePO4 battery provides extended lifetime and reliability



WARRANTY



LIFETIME



LUMENS  
PER W



IK RATING



IP RATING



OPERATING  
VOLTAGE



BEAM ANGLE



NON  
DIMMABLE  
DIMMING



CCT



SAFETY  
CLASS



BATTERY

	RMR5LST-01
Comparable to:	2x20W halogen
Total Power (W):	4.7
Total Light Output (lm):	NA
Total Emergency Light Output (lm):	2x175
Efficacy (lm/cctW):	NA
Lux at 1m (lux):	NA
Emergency Lux at 1m (lux):	120
CCT (K):	6500
CRI:	80
IP:	65
Operation Temperature (°C):	0 ≤ Ta ≤ +40
Inrush Current:	15A/2us
RG Value:	0
L70B50 or the variant:	54000
Dimensions LxWxH	300x292x48
Weight (kg):	0.88

Product is certified to all the relevant standards.

Please contact our technical department for market specific compliances.

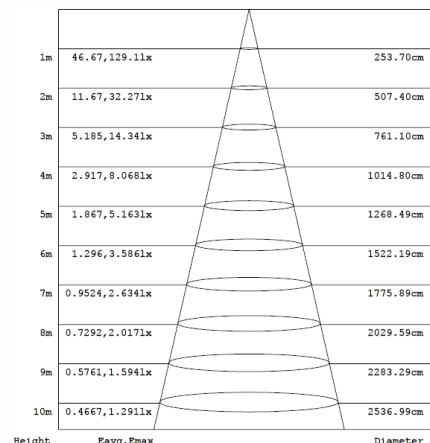
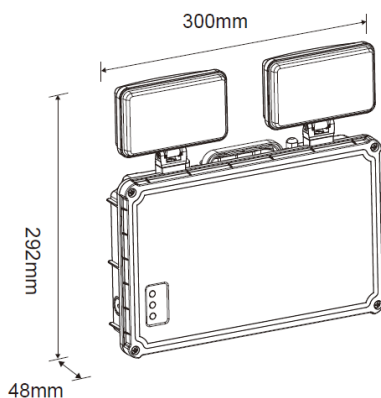


Diagram for RMR5LST -01 for both heads. Other diagrams available on request

PLEASE NOTE: INFORMATION IN THIS DOCUMENT MAY BE SUBJECT TO CHANGE WITHOUT PRIOR NOTICE

IRE: TEL: +353 1 709 9000  
UK: TEL: 0800 973 220  
AUS: TEL: +61 7 3890 5444  
NZ: TEL: +64 03 668 5285

WEB: WWW.ROBUS.COM  
WEB: WWW.ROBUS.COM  
WEB: WWW.ROBUS.COM.AU  
WEB: WWW.ROBUSLED.CO.NZ

LED GROUP EUROPE · AUSTRALIA · NEW ZEALAND · ASIA · MIDDLE EAST · AFRICA